

**AZUMA**



**Integrated Solar-powered Lighting System**

# **Safe, reliable lighting**

Meeting a wide variety of needs for both commercial and home use

**High quality & Low cost**

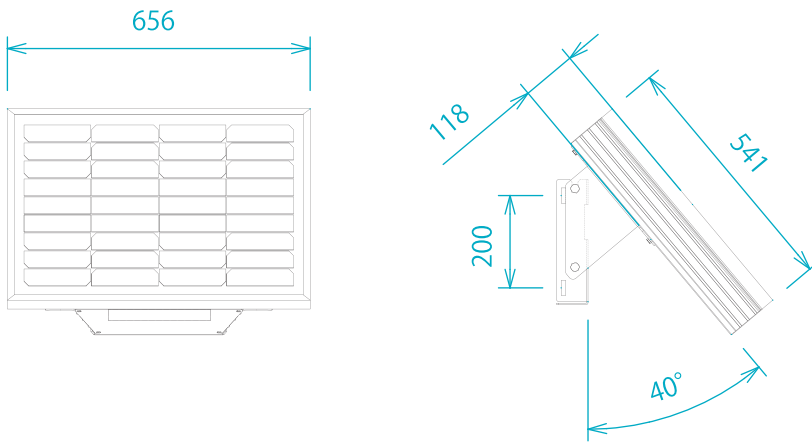
**Made in Japan**



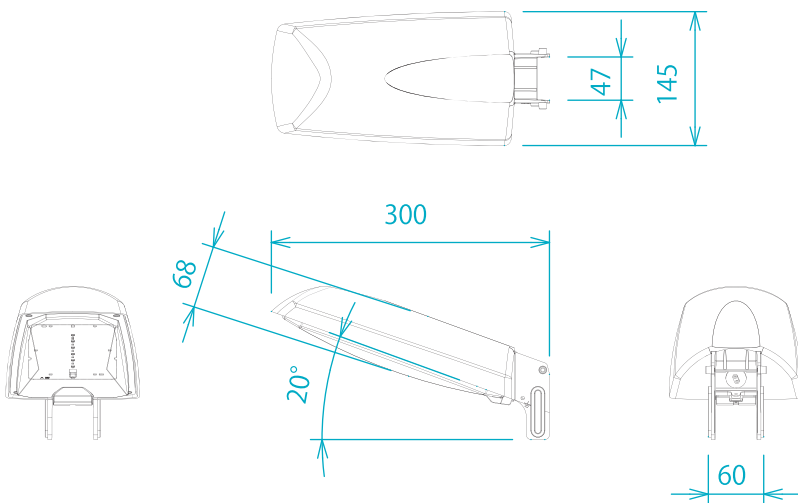
# Solar powered LED light

## AZW-N5

### Outline drawings of PV module and controller S=1:20



### Outline drawing of LED light fixture S=1:10



### Basic specifications

PV module	52W, Monocrystalline, 12 V
Light source	6 high-intensity white power LEDs
ON/OFF timing	Automatically turned ON at sunset and OFF at sunrise. ( 6 modes available )
Battery	Lithium iron phosphate ion battery, 132 Wh
Surface treatment	Controller: Painted in dark brown
	Light fixture: Painted in dark brown
Materials	Controller: Aluminum extrusion Mounting angle: ZAM steel
	Light fixture: Aluminum die-cast (Main body) Cover: Acrylic resin
Control method	Dedicated microprogram
Operating temperature range	-20°C to 45°C
Installation	Mounted to an existing pole
	Installed with a pole (This system does not come with a pole or a mounting band.)
Weight	Controller with PV module: Approx. 16.5 kg Light fixture: Approx. 1.5 kg

**Azuma Seisakusho Co., Ltd.**

Renewable Energy Division

<http://www.azuma-ss.co.jp>

4-4-27 Ojima, Honjo, Saitama, 367-0061, Japan

Tel : +81-495-25-8001 (Main) Fax : +81-495-25-8002

<Head office>

1-5-5 Kizawaminami, Toda, Saitama, 335-0014, Japan

Tel.: +81-48-443-8651 (Main) Fax: +81-48-444-7067

Distributor / Dealer